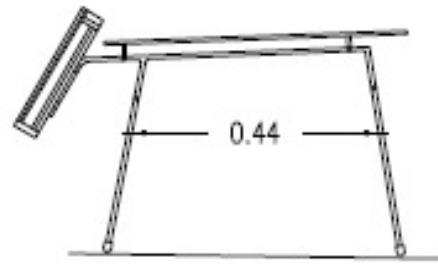
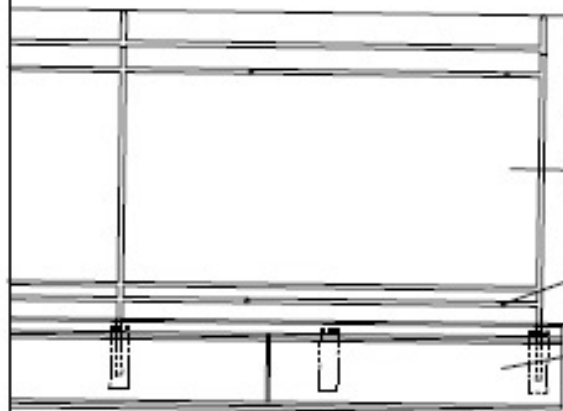


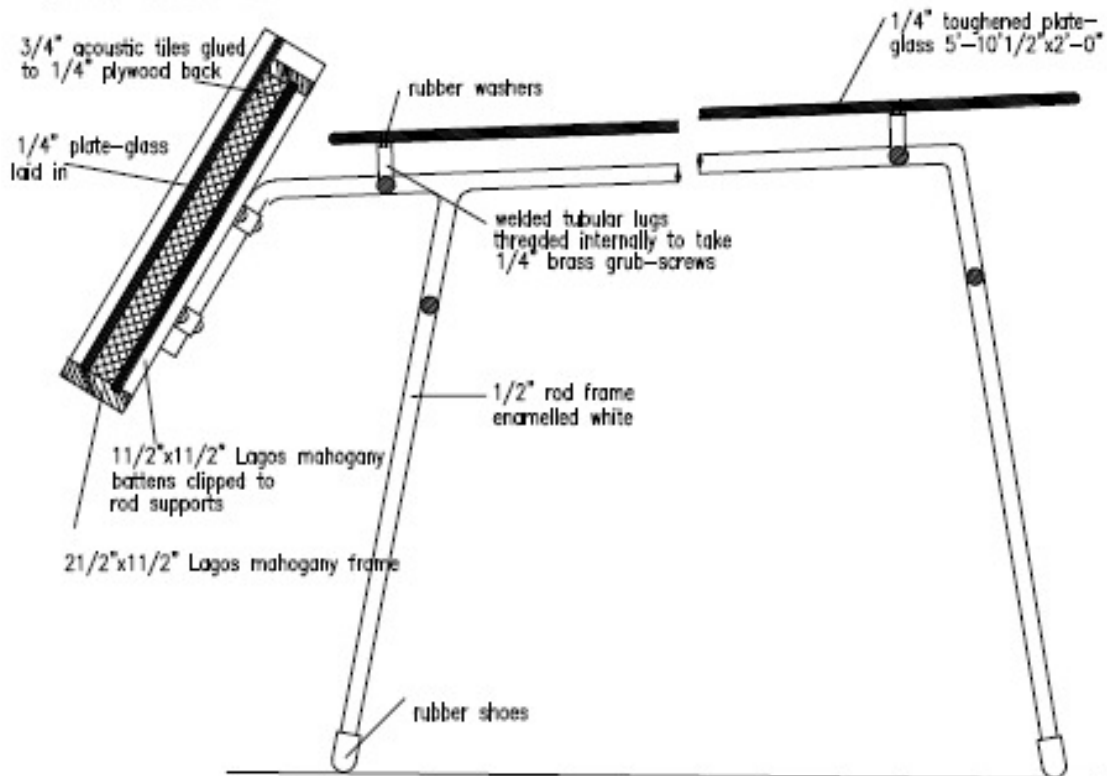
ELEVATION.



SECTION



PLAN. scale 1"=1'-0"



SECTION THROUGH DISPLAY UNIT.

scale 3"=1'-0"